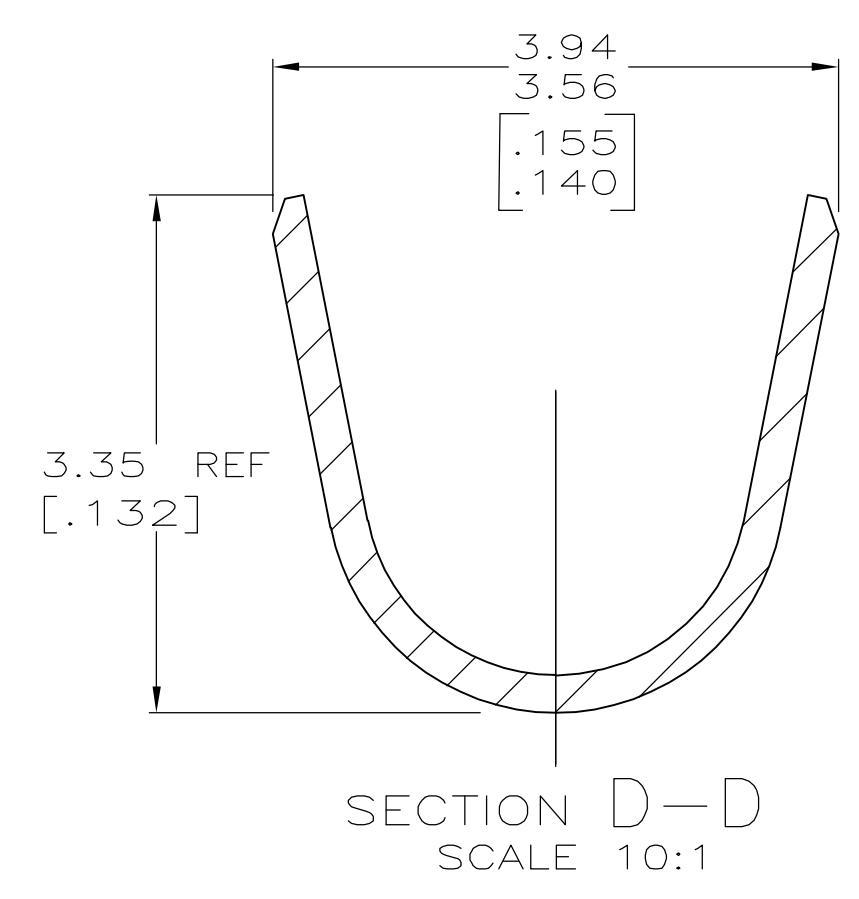
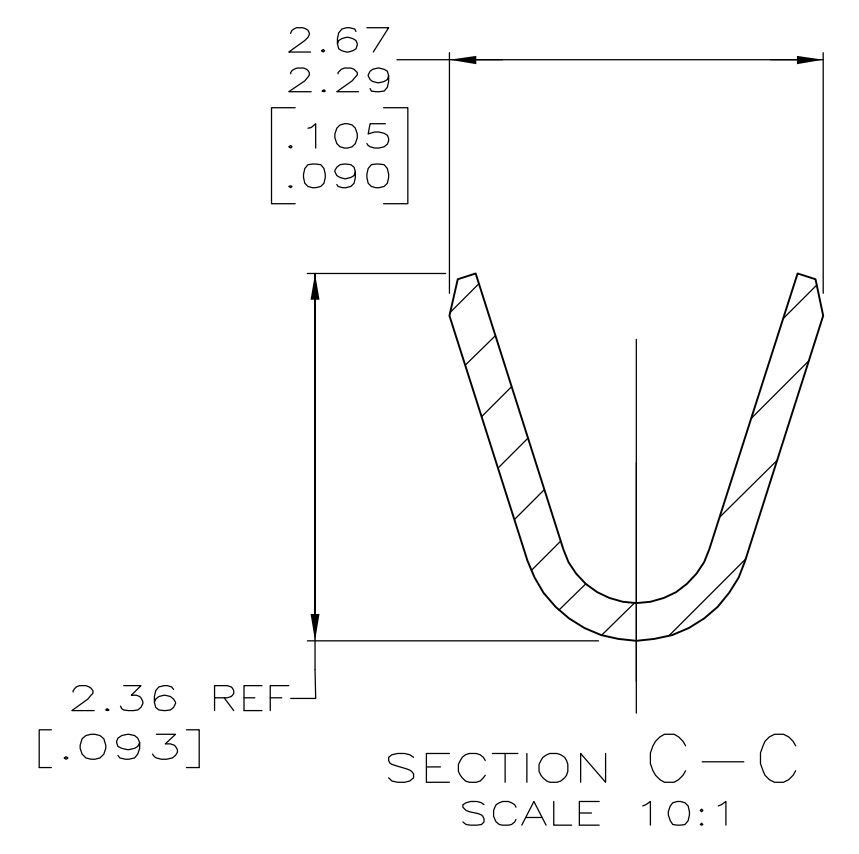
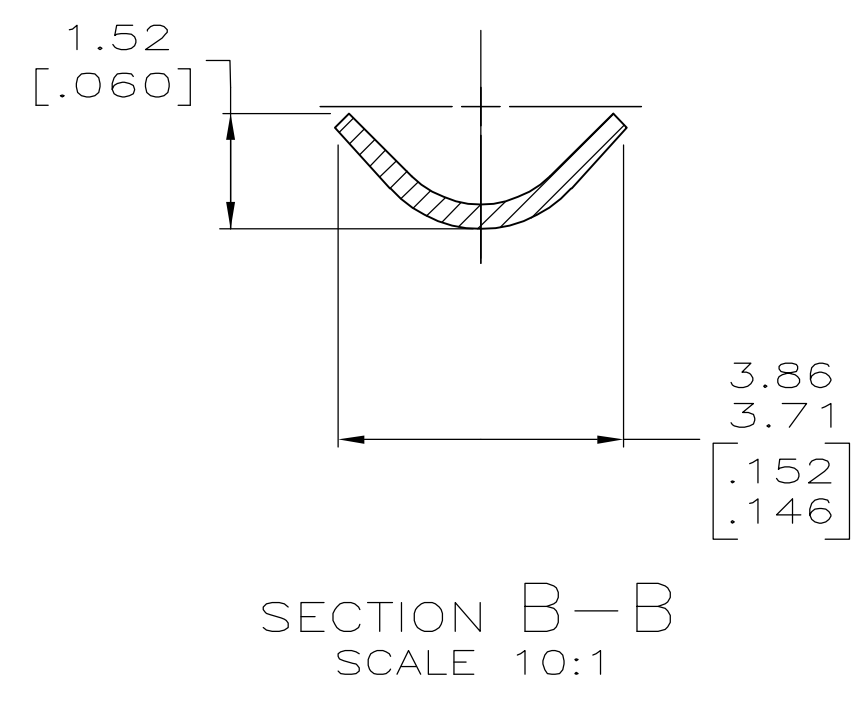
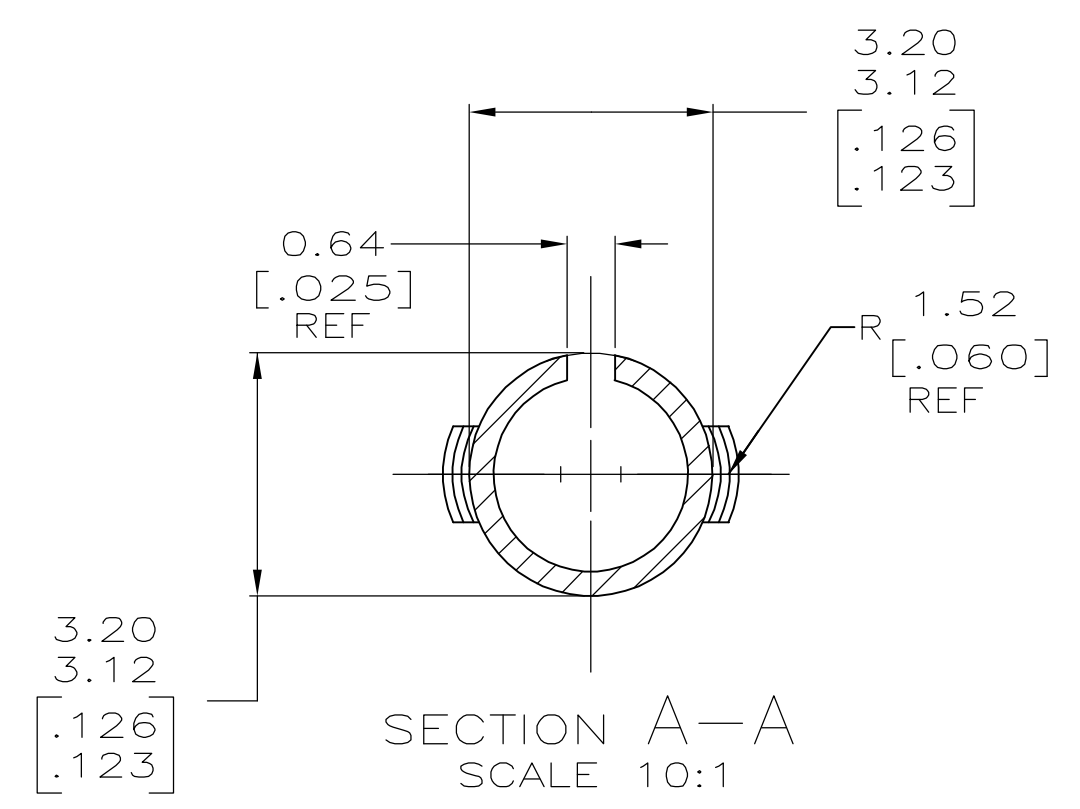
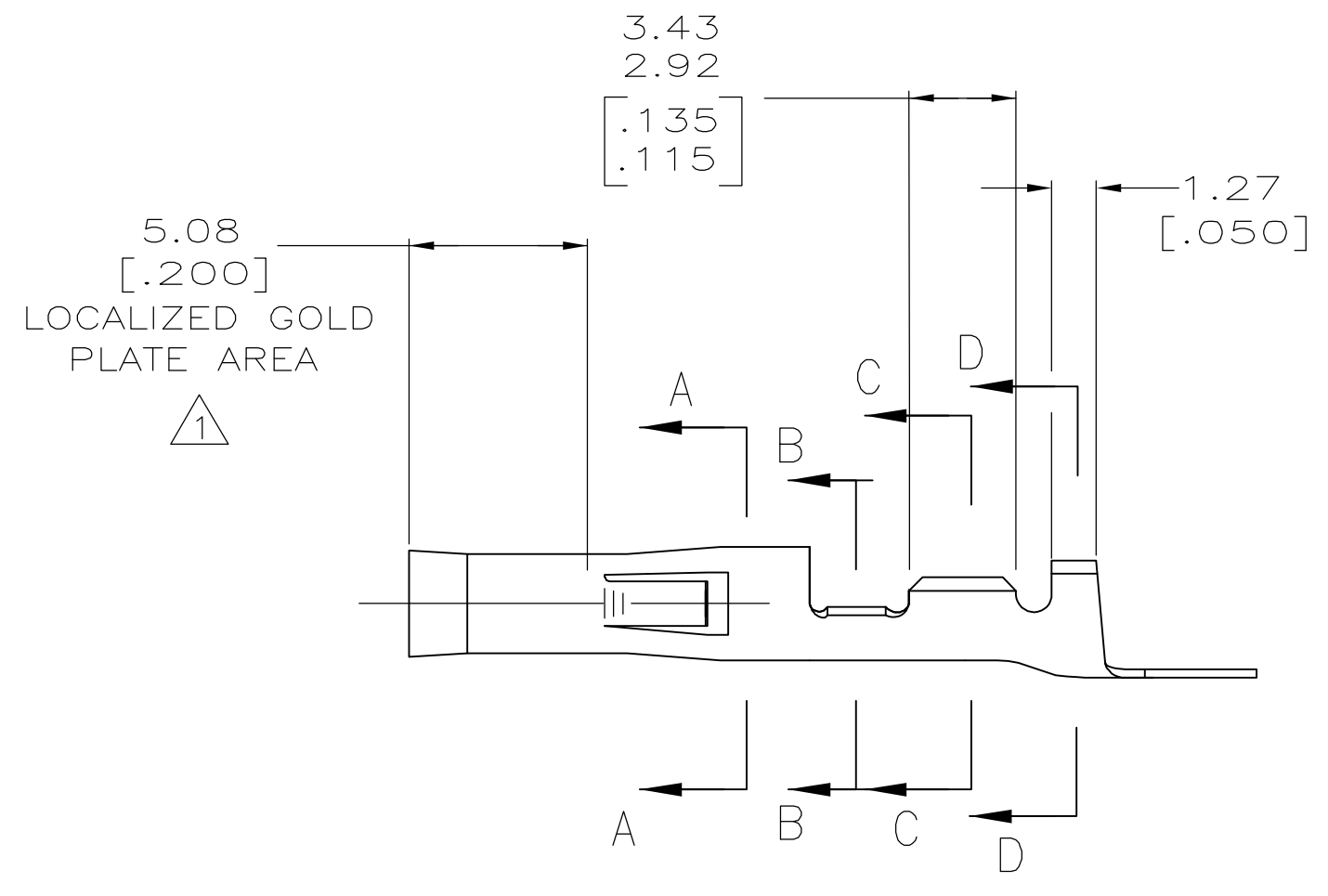
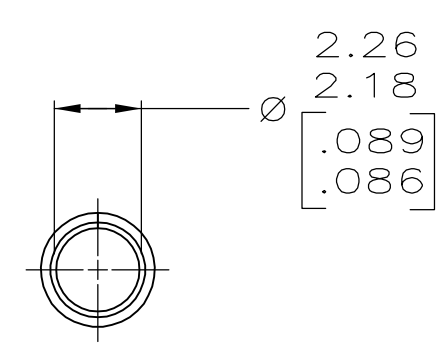


- 1 0.000762 [.000030] MIN GOLD IN LOCALIZED GOLD PLATE AREA OVER 0.00127 [.000050] MIN NICKEL.
- 2 WIRE RANGE: 0.3 - 0.84mm² (24-18 AWG).
- 3 INSULATION RANGE: 2.79 [.110] MAX. DIA.
- 4 DIMENSIONS IN BRACKETS ARE IN INCHES.



METRIC

GOLD STRIPE	0.25 [.010] BRASS	350417-5
△	0.25 [.010] BRASS	350417-3
PRE-TIN	0.25 [.010] BRASS	350417-1
FINISH	MATERIAL	PART NO

THIS DRAWING IS A CONTROLLED DOCUMENT.

DIMENSIONS: mm (INCHES)	TOLERANCES UNLESS OTHERWISE SPECIFIED:	DWN: K. WHITAKER 22NOV2005	chk: D. COLEY 22NOV2005	APPD: D. COLEY 22NOV2005	NAME: D. COLEY	tyco Electronics	Tyco Electronics Corporation Harrisburg, PA 17105-3608
0 PLC ± -	1 PLC ± -	2 PLC ± -	3 PLC ± 0.13 [.005]	4 PLC ± -	ANGLES ± 0.30'	PRODUCT SPEC	APPLICATION SPEC
MATERIAL SEE TABLE	FINISH SEE TABLE	SIZE: A1	CAGE CODE: 00779	DRAWING NO: 350417	RESTRICTED TO: -	WEIGHT: -	CUSTOMER DRAWING
		SCALE: 5:1	SHEET: 1 of 1	REV: AP1			